

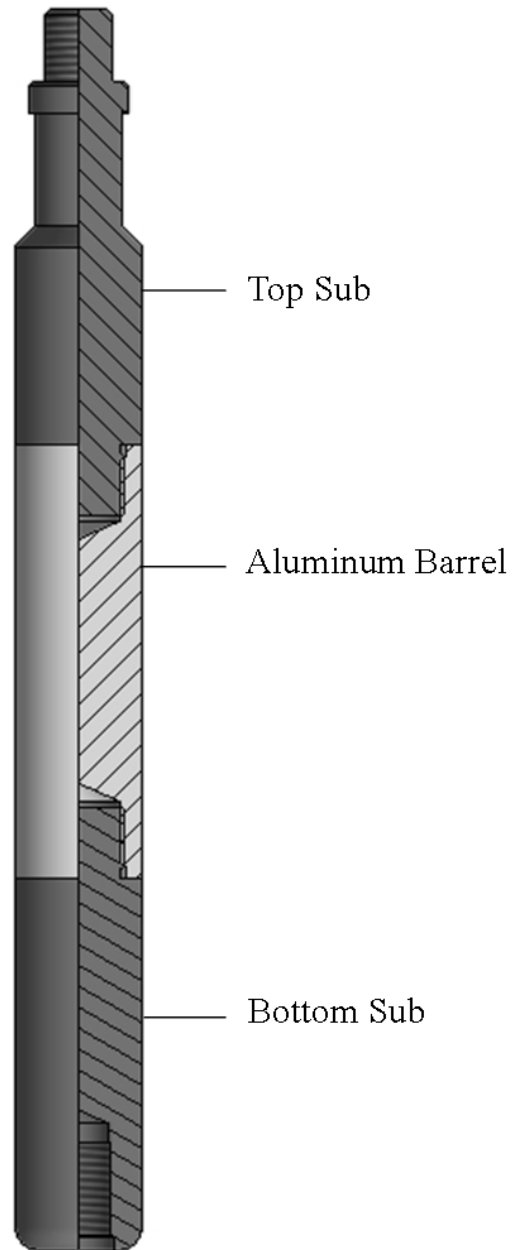


## ALUMINUM DUMMY

### ASSEMBLY DESCRIPTION

An Aluminum Dummy can be used to ensure downhole clearance or can be used as a spacer in a wireline tool string assembly.

B & T's Aluminum Dummy can be customized to any length in order to meet customer requirements and specifications





## ALUMINUM DUMMY

SPECIFICATIONS				
	1.500	1.687	1.750	2.000
Fishneck	1.375	1.375	1.375	1.750
Connections	15/16"-10	15/16"-10	15/16"-10	15/16"-10

SPECIFICATIONS				
	2.125	2.250	2.500	2.750
Fishneck	1.750	1.750	1.750	1.750
Connections	15/16"-10	1-1/16"-10	1-1/16"-10	1-1/16"-10

SPECIFICATIONS				
	3.375	4.000		
Fishneck	2.313	2.313		
Connections	1-1/16"-10	1-1/16"-10		

All Specification Tables contain approximated dimensions and should be used for reference only.