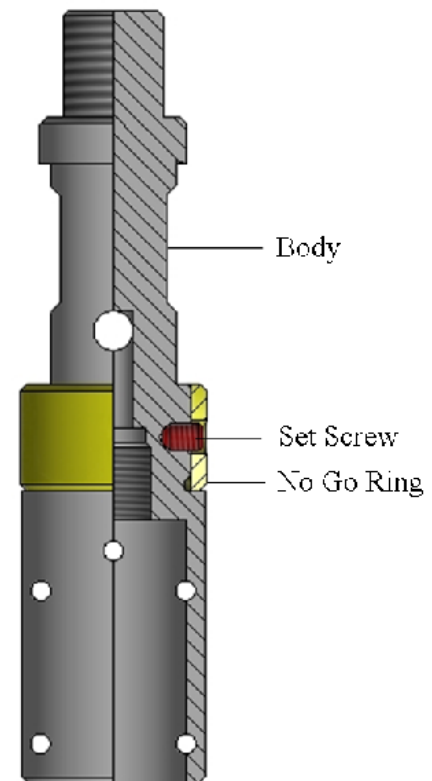




C-1 RUNNING TOOL

ASSEMBLY DESCRIPTION

The C-1 Running Tool is designed for use with most Baker Style Equipment.





C-1 RUNNING TOOL

SPECIFICATIONS			
	1.500	1.750	2.000
Fishneck	1.188	1.188	1.375
Connections	15/16"-10	15/16"-10	15/16"-10

SPECIFICATIONS			
	2.500	3.000	4.000
Fishneck	1.750	2.313	3.125
Connections	15/16"-10	1-1/16"-10	1-1/16"-10

All Specification Tables contain approximated dimensions and should be used for reference only.