

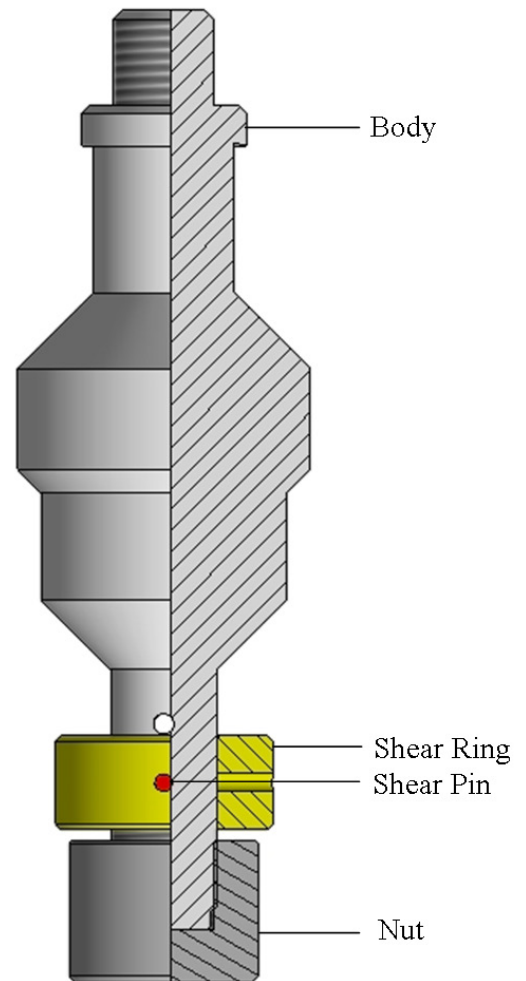


B & T CHECK SET TOOL

ASSEMBLY DESCRIPTION

The B & T Check Set Tool is used to insure that the B & T X Locks and B & T R Locks have been properly set in the appropriate Landing Nipple. Once the B & T Check Set Tool has been successfully run with either a B & T X or B & T R Lock, its Shear Pin will be sheared.

If the Shear Pin in the B & T Check Set Tool is sheared, then the lock has been properly set into the corresponding Landing Nipple.





B & T R CHECK SET TOOL

SPECIFICATIONS				
	1.710	1.781	1.875	2.000
Fishneck	1.375	1.375	1.375	1.375
Maximum O.D.	1.558	1.705	1.750	1.921
Connection	15/16"-10	15/16"-10	15/16"-10	15/16"-10
Shear Pin	1/8" X 3/4"	1/8" X 3/4"	1/8" X 7/8"	1/8" X 7/8"

SPECIFICATIONS				
	2.125	2.188	2.313	2.562
Fishneck	1.375	1.375	1.375	1.750
Maximum O.D.	2.029	2.160	2.160	2.450
Connection	15/16"-10	15/16"-10	15/16"-10	1-1/16"-10
Shear Pin	3/16" X 1-1/8"	3/16" X 1-1/8"	3/16" X 1-1/2"	3/16" X 1-1/2"

SPECIFICATIONS				
	2.750	2.813	3.437	3.688
Fishneck	1.750	1.750	1.750	1.750
Maximum O.D.	2.661	2.715	3.332	3.577
Connection	1-1/16"-10	1-1/16"-10	1-1/16"-10	1-1/16"-10
Shear Pin	3/16" X 1-1/2"	3/16" X 1-1/2"	3/16" X 2-1/8"	1/4" X 2-1/2"

SPECIFICATIONS				
	4.125	4.313	4.562	
Fishneck	1.750	1.750	2.313	
Maximum O.D.	3.920	4.194	4.375	
Connection	1-1/16"-10	1-1/16"-10	1-1/16"-10	
Shear Pin	1/4" X 2-7/8"	1/4" X 2-3/4"	5/16" X 3"	

All Specification Tables contain approximated dimensions and should be used for reference only.



B & T X CHECK SET TOOL

SPECIFICATIONS				
	1.250	1.500	1.625	1.875
Fishneck	1.188	1.188	1.375	1.375
Maximum O.D.	1.162	1.450	1.526	1.750
Connections	15/16"-10	15/16"-10	15/16"-10	15/16"-10
Shear Pin	1/8" X 5/8"	1/8" X 3/4"	1/8" X 3/4"	1/8" X 1"

SPECIFICATIONS				
	2.313	2.750	2.813	3.313
Fishneck	1.375	1.375	1.375	1.750
Maximum O.D.	2.160	2.160	2.160	2.450
Connections	15/16"-10	15/16"-10	15/16"-10	1-1/16"-10
Shear Pin	3/16" X 1-1/2"	3/16" X 1-1/8"	3/16" X 1-1/2"	3/16" X 1-1/2"

SPECIFICATIONS				
	3.813	4.313	4.562	
Fishneck	1.750	1.750	2.313	
Maximum O.D.	3.625	4.102	4.375	
Connections	1-1/16"-10	1-1/16"-10	1-1/16"-10	
Shear Pin	1/4" X 2-3/4"	1/4" X 2-3/4"	1/4" X 3-5/16"	

All Specification Tables contain approximated dimensions and should be used for reference only.