



ENVIRO TYPE GREASE HEAD

ASSEMBLY DESCRIPTION

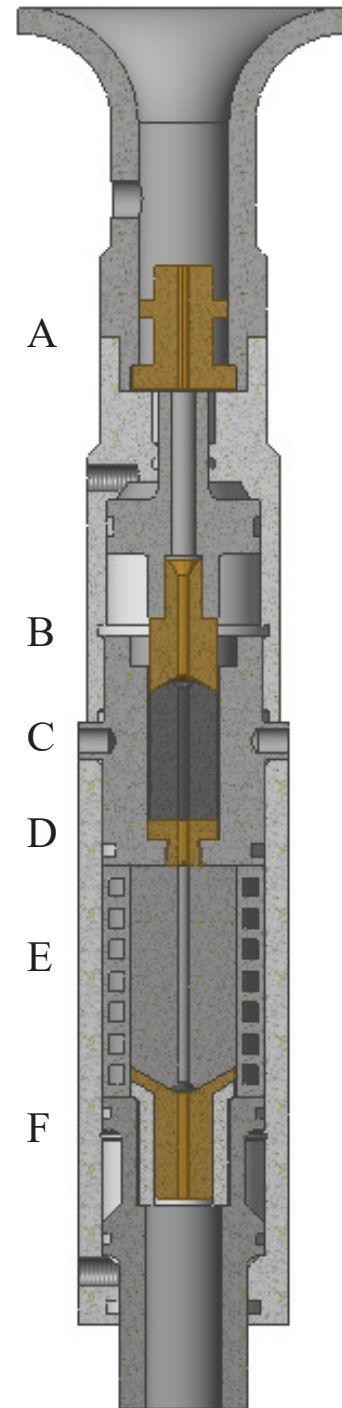
B & T manufactures the following components compatible with the Enviro Type Grease Head:

- A) OS9S BRASS UPPER BUSHING
- B) ENVIRO TYPE UPPER GLAND *
- C) BOWEN MINI PACKOFF RUBBER
- D) ENVIRO TYPE SPACER
- E) OS9S LINE WIPER
- F) ENVIRO TYPE LOWER GLAND

*Optional 15K configuration is also available. The 15K Brass Seat will replace the Enviro Type Upper Gland.

The Bowen Mini Packoff Rubber and OS9S Line Wiper are available in the full range of materials offered by B & T. Please consult the Elastomer Chart to find the proper compound for your specific application. The standard compound suitable for most applications is 70 durometer NBR packoff rubber and a 50 durometer SBR/Natural line wiper rubber.

Brass parts are made of casted brass and brass materials.

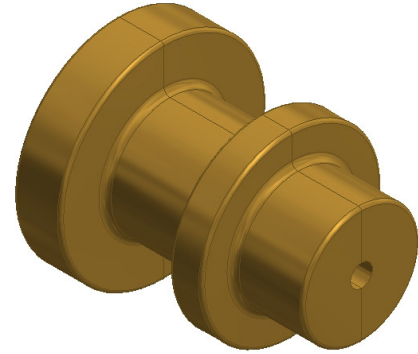




OS9S BRASS UPPER BUSHING

ASSEMBLY DESCRIPTION

O.D. 2.000"
Length 2.460"



SPECIFICATIONS

Enviro Type Grease Head Part: A

Part Number	Line Size	Material
OSUB-0002-15	3/16"	Casted Brass
OSUB-0003-15	7/32"	Casted Brass
OSUB-0004-15	1/4"	Casted Brass
OSUB-0005-15	9/32"	Casted Brass
OSUB-0006-15	5/16"	Casted Brass
OSUB-0008-15	3/8"	Casted Brass
OSUB-0009-15	7/16"	Casted Brass
OSUB-0010-15	15/32"	Casted Brass
OSUB-0011-15	1/2"	Casted Brass

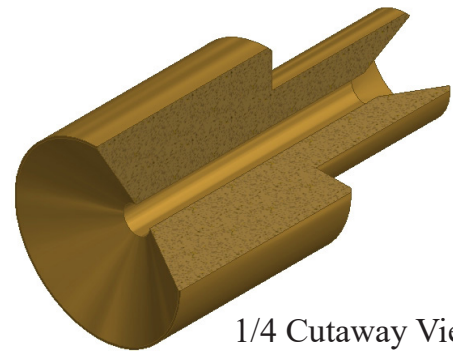
All Specification Tables contain approximated dimensions and should be used for reference only.



ENVIRO TYPE UPPER GLAND

ASSEMBLY DESCRIPTION

O.D. 1.370"
Length 2.585"



1/4 Cutaway View

SPECIFICATIONS

Enviro Type Grease Head Part: B

Part Number	Line Size	Material
EHUG-0002-05	3/16"	Brass
EHUG-0003-05	7/32"	Brass
EHUG-0004-05	1/4"	Brass
EHUG-0005-05	9/32"	Brass
EHUG-0006-05	5/16"	Brass
EHUG-0008-05	3/8"	Brass
EHUG-0009-05	7/16"	Brass
EHUG-0010-05	15/32"	Brass
EHUG-0011-05	1/2"	Brass

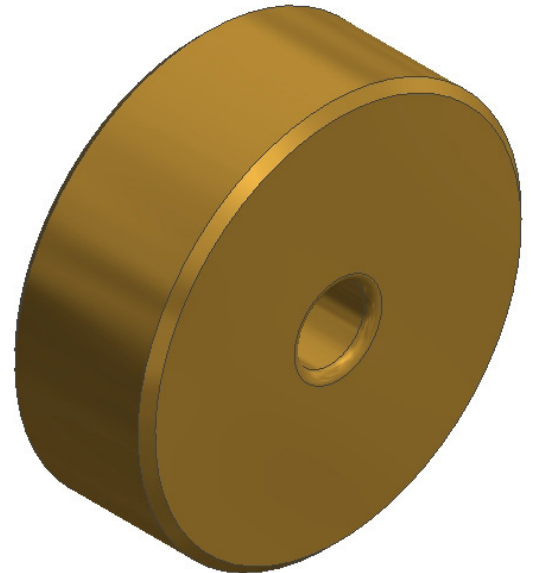
All Specification Tables contain approximated dimensions and should be used for reference only.



15K BRASS SEAT

ASSEMBLY DESCRIPTION

O.D. 2.000"
Length 2.460"



SPECIFICATIONS

Enviro Type Grease Head Part: B Alternative

Part Number	Line Size	Material
15KBS-0002-15	3/16"	Brass
15KBS-0003-15	7/32"	Brass
15KBS-0004-15	1/4"	Brass
15KBS-0005-15	9/32"	Brass
15KBS-0006-15	5/16"	Brass
15KBS-0008-15	3/8"	Brass
15KBS-0009-15	7/16"	Brass
15KBS-0010-15	15/32"	Brass
15KBS-0011-15	1/2"	Brass

All Specification Tables contain approximated dimensions and should be used for reference only.



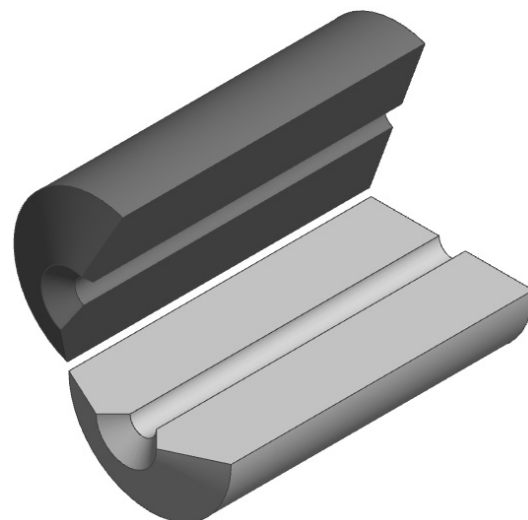
BOWEN MINI PACKOFF RUBBER

ASSEMBLY DESCRIPTION

O.D. 1.370"
Length 2.585"

Mold #-Line Size-Compound
0119-XXXX-XXXX

When ordering the Bowen Mini Packoff Rubber use the prefix **0119** and please specify: line size and compound. Example: 3/16" NBR 70 Duro would be part number **0119-0002-0807**



SPECIFICATIONS

Enviro Type Grease Head Part: C

Line Size	Line Size Part No.	Compound	NBR 70 Duro	HNBR 65 Duro	HNBR 80 Duro	FKM 70 Duro	Epichlorohydrin 70 Duro
3/16"	0002		0807	8465	0848	0707	1307
7/32"	0003		0807	8465	0848	0707	1307
1/4"	0004		0807	8465	0848	0707	1307
9/32"	0005		0807	8465	0848	0707	1307
5/16"	0006		0807	8465	0848	0707	1307
0.350"	0007		0807	8465	0848	0707	1307
3/8"	0008		0807	8465	0848	0707	1307
7/16"	0009		0807	8465	0848	0707	1307
15/32"	0010		0807	8465	0848	0707	1307
1/2"	0011		0807	8465	0848	0707	1307
17/32"	0012		0807	8465	0848	0707	1307

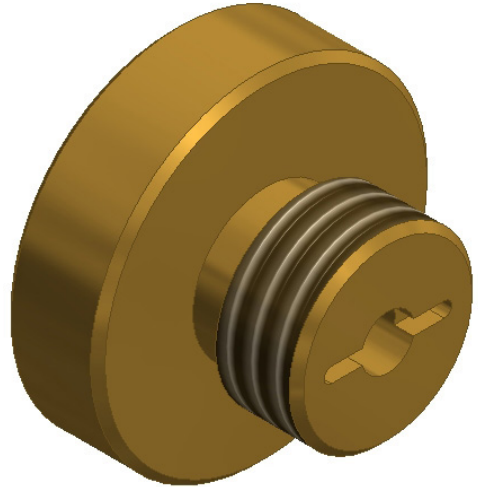
All Specification Tables contain approximated dimensions and should be used for reference only.



ENVIRO TYPE SPACER

ASSEMBLY DESCRIPTION

O.D.	1.380"
Height	0.885"



SPECIFICATIONS

Enviro Type Grease Head Part: D

Part Number	Line Size	Material
EHSG-0002-05	3/16"	Brass
EHSG-0003-05	7/32"	Brass
EHSG-0004-05	1/4"	Brass
EHSG-0005-05	9/32"	Brass
EHSG-0006-05	5/16"	Brass
EHSG-0008-05	3/8"	Brass
EHSG-0009-05	7/16"	Brass
EHSG-0010-05	15/32"	Brass
EHSG-0011-05	1/2"	Brass

All Specification Tables contain approximated dimensions and should be used for reference only.



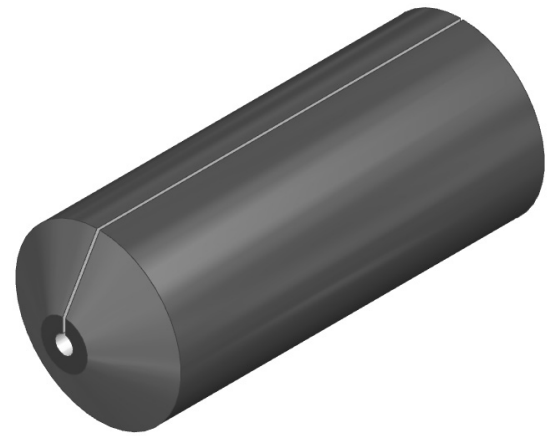
OS9S LINE WIPER

ASSEMBLY DESCRIPTION

O.D. 2.000"
Length 4.800"

Mold #-Line Size-Compound
0131-XXXX-XXXX

When ordering the OS9S Line Wiper use the prefix **0131** and please specify: line size and compound. Example: 3/16" SBR/Natural 50 Duro would be part number **0131-0002-3105**



SPECIFICATIONS

Enviro Type Grease Head Part: E

Line Size	Line Size Part No.	Compound	SBR/Natural 50 Duro	HNBR 65 Duro	HNBR 80 Duro	FKM 70 Duro	Epichlorohydrin 70 Duro
3/16"	0002		3105	8465	0848	0707	1307
7/32"	0003		3105	8465	0848	0707	1307
1/4"	0004		3105	8465	0848	0707	1307
9/32"	0005		3105	8465	0848	0707	1307
5/16"	0006		3105	8465	0848	0707	1307
3/8"	0008		3105	8465	0848	0707	1307
7/16"	0009		3105	8465	0848	0707	1307
15/32"	0010		3105	8465	0848	0707	1307
1/2"	0011		3105	8465	0848	0707	1307

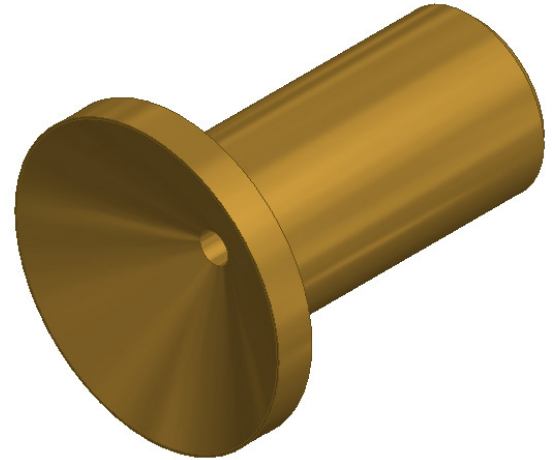
All Specification Tables contain approximated dimensions and should be used for reference only.



ENVIRO TYPE LOWER GLAND

ASSEMBLY DESCRIPTION

O.D.	2.050"
Length	2.562"



SPECIFICATIONS

Enviro Type Grease Head Part: F

Part Number	Line Size	Material
EHLG-0002-05	3/16"	Brass
EHLG-0003-05	7/32"	Brass
EHLG-0004-05	1/4"	Brass
EHLG-0005-05	9/32"	Brass
EHLG-0006-05	5/16"	Brass
EHLG-0008-05	3/8"	Brass
EHLG-0009-05	7/16"	Brass
EHLG-0010-05	15/32"	Brass
EHLG-0011-05	1/2"	Brass

All Specification Tables contain approximated dimensions and should be used for reference only.