



LARGE BOWEN GREASE HEAD

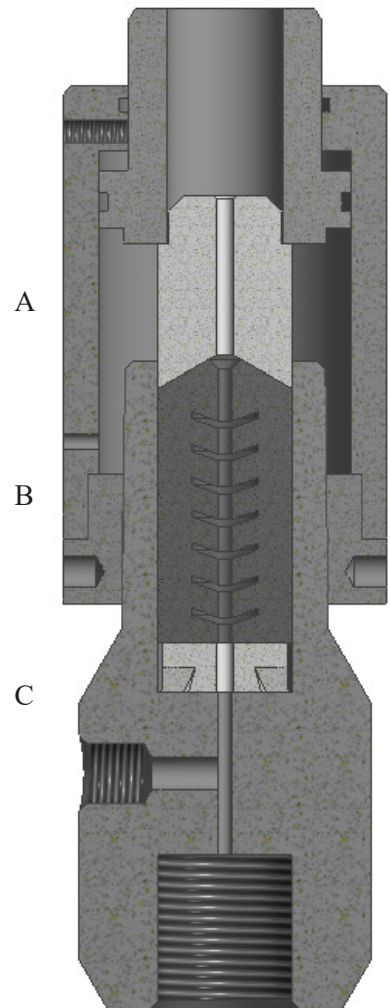
ASSEMBLY DESCRIPTION

B & T manufactures the following components compatible with the Large Bowen Grease Head:

- A) LARGE BOWEN UPPER BUSHING
- B) LARGE BOWEN LINE WIPER
- C) LARGE BOWEN INTERLOCKING SEAT

Large Bowen Line Wipers are available in the full range of materials offered by B & T. Please consult the Elastomer Chart to find the proper compound for your specific application. The standard compound suitable for most applications is NBR 60.

Upper and lower metals are made from casted steel.

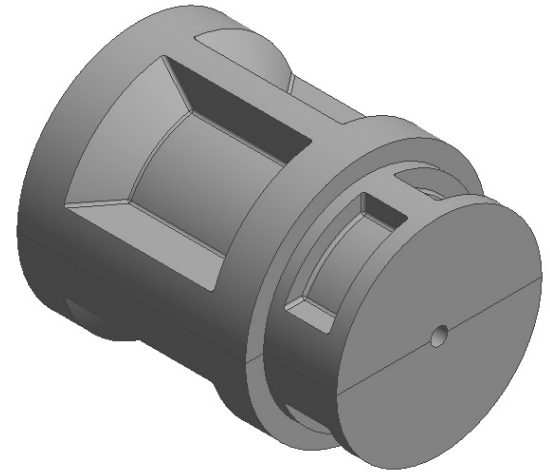




LARGE BOWEN UPPER BUSHING

ASSEMBLY DESCRIPTION

O.D. 3.300"
Length 2.645"



SPECIFICATIONS

Large Bowen Grease Head Part: A

| Part Number | Line Size | Material |
|--------------|-----------|--------------|
| BLUM-0002-10 | 3/16" | Casted Steel |
| BLUM-0003-10 | 7/32" | Casted Steel |
| BLUM-0004-10 | 1/4" | Casted Steel |
| BLUM-0006-10 | 5/16" | Casted Steel |
| BLUM-0008-10 | 3/8" | Casted Steel |
| BLUM-0018-10 | 0.390" | Casted Steel |
| BLUM-0011-10 | 1/2" | Casted Steel |
| BLUM-0013-10 | 9/16" | Casted Steel |

All Specification Tables contain approximated dimensions and should be used for reference only.



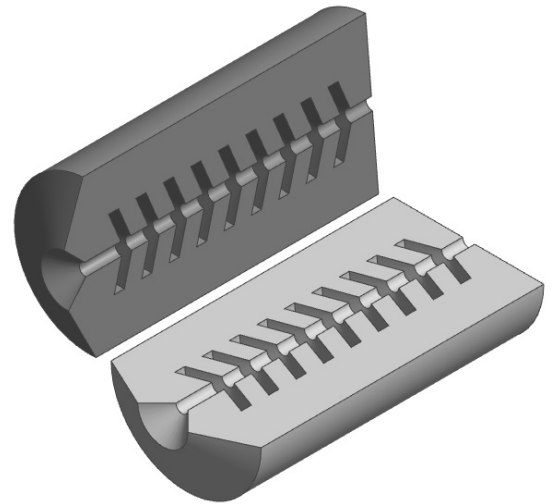
LARGE BOWEN LINE WIPER

ASSEMBLY DESCRIPTION

O.D. 2.700"
Length 5.500"

Mold # -Line Size-Compound
0157-XXXX-XXXX

When ordering the Large Bowen Line Wiper use the prefix **0157** and please specify: line size and compound. Example: 3/16" NBR 60 Duro would be part number **0157-0002-0806**



SPECIFICATIONS

Large Bowen Grease Head Part: B

| Line Size | Line Size Part No. | Compound | NBR 60 Duro | HNBR 65 Duro | HNBR 70 Duro | FKM 70 Duro | Epichlorohydrin 70 Duro |
|-----------|--------------------|----------|-------------|--------------|--------------|-------------|-------------------------|
| 3/16" | 0002 | | 0806 | 8465 | 0847 | 0707 | 1307 |
| 7/32" | 0003 | | 0806 | 8465 | 0847 | 0707 | 1307 |
| 1/4" | 0004 | | 0806 | 8465 | 0847 | 0707 | 1307 |
| 5/16" | 0006 | | 0806 | 8465 | 0847 | 0707 | 1307 |
| 3/8" | 0008 | | 0806 | 8465 | 0847 | 0707 | 1307 |
| 0.390" | 0018 | | 0806 | 8465 | 0847 | 0707 | 1307 |
| 1/2" | 0011 | | 0806 | 8465 | 0847 | 0707 | 1307 |
| 9/16" | 0013 | | 0806 | 8465 | 0847 | 0707 | 1307 |

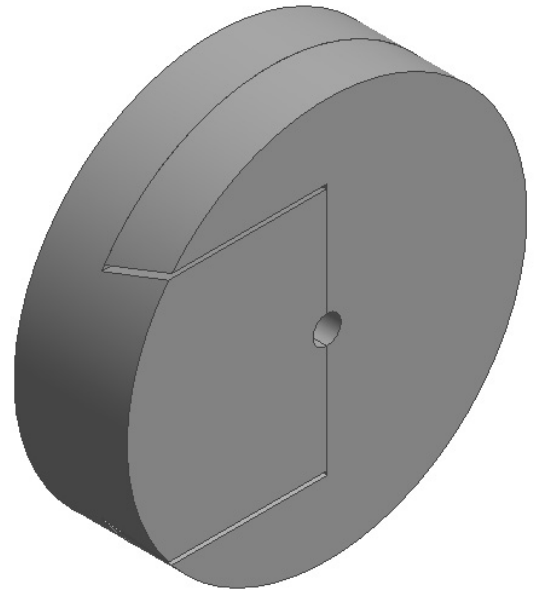
All Specification Tables contain approximated dimensions and should be used for reference only.



LARGE BOWEN INTERLOCKING SEAT

ASSEMBLY DESCRIPTION

O.D. 2.656"
Height 0.750"



SPECIFICATIONS

Large Bowen Grease Head Part: C

| Part Number | Line Size | Material |
|--------------|-----------|--------------|
| BLLM-0002-10 | 3/16" | Casted Steel |
| BLLM-0003-10 | 7/32" | Casted Steel |
| BLLM-0004-10 | 1/4" | Casted Steel |
| BLLM-0006-10 | 5/16" | Casted Steel |
| BLLM-0008-10 | 3/8" | Casted Steel |
| BLLM-0018-10 | 0.390" | Casted Steel |
| BLLM-0011-10 | 1/2" | Casted Steel |
| BLLM-0013-10 | 9/16" | Casted Steel |

All Specification Tables contain approximated dimensions and should be used for reference only.