



MEDIUM BOWEN GREASE HEAD

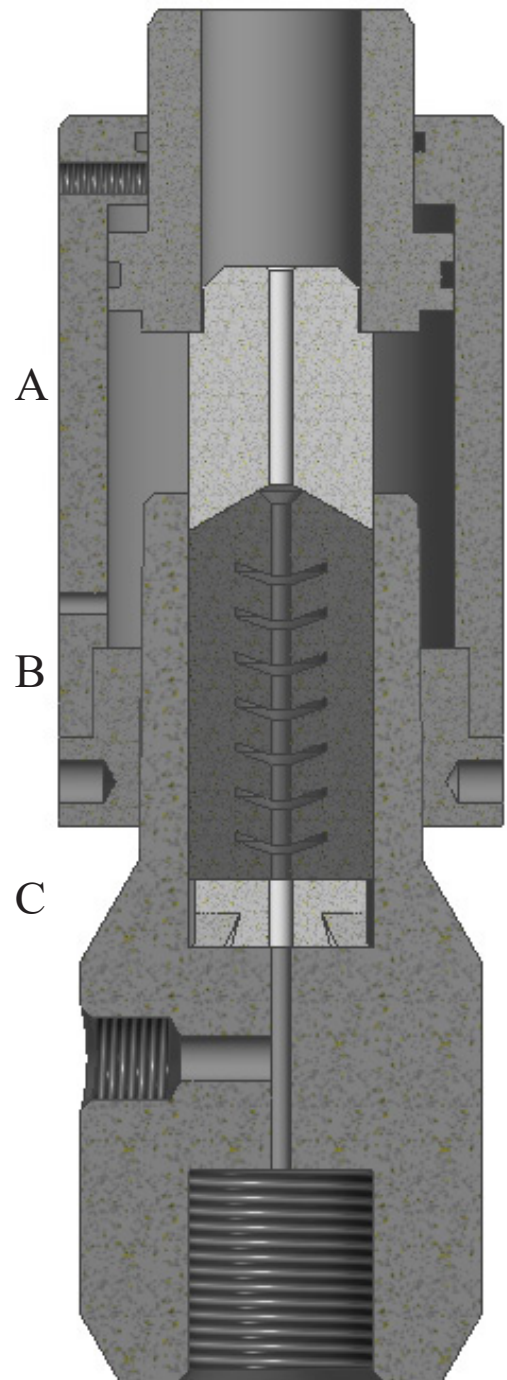
ASSEMBLY DESCRIPTION

B & T manufactures the following components compatible with the Medium Bowen Grease Head:

- A) MEDIUM BOWEN UPPER BUSHING
- B) MEDIUM BOWEN LINE WIPER
- C) MEDIUM BOWEN INTERLOCKING SEAT

Medium Bowen Line Wipers are available in the full range of materials offered by B & T. Please consult the Elastomer Chart to find the proper compound for your specific application. The standard compound suitable for most applications is NBR 60.

Upper and lower metals are made from casted steel.

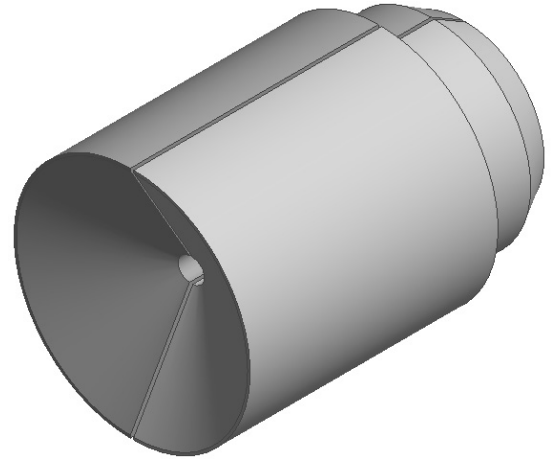




MEDIUM BOWEN UPPER BUSHING

ASSEMBLY DESCRIPTION

O.D. 2.100"
Length 3.000"



SPECIFICATIONS

Medium Bowen Grease Head Part: A

Part Number	Line Size	Material
BMUM-0002-10	3/16"	Casted Steel
BMUM-0003-10	7/32"	Casted Steel
BMUM-0004-10	1/4"	Casted Steel
BMUM-0005-10	9/32"	Casted Steel
BMUM-0006-10	5/16"	Casted Steel
BMUM-0008-10	3/8"	Casted Steel
BMUM-0009-10	7/16"	Casted Steel
BMUM-0010-10	15/32"	Casted Steel
BMUM-0011-10	1/2"	Casted Steel
BMUM-0013-10	9/16"	Casted Steel

All Specification Tables contain approximated dimensions and should be used for reference only.



MEDIUM BOWEN LINE WIPER

ASSEMBLY DESCRIPTION

O.D. 2.100"
Length 4.400"

Mold #-Line Size-Compound
0156-XXXX-XXXX

When ordering the Medium Bowen Line Wiper use the prefix **0156** and please specify: line size and compound. Example: 3/16" NBR 60 Duro would be part number **0156-0002-0806**



SPECIFICATIONS

Medium Bowen Grease Head Part: B

Line Size	Line Size Part No.	Compound	NBR 60 Duro	HNBR 65 Duro	HNBR 70 Duro	FKM 70 Duro	Epichlorohydrin 70 Duro
3/16"	0002		0806	8465	0847	0707	1307
7/32"	0003		0806	8465	0847	0707	1307
1/4"	0004		0806	8465	0847	0707	1307
9/32"	0005		0806	8465	0847	0707	1307
5/16"	0006		0806	8465	0847	0707	1307
3/8"	0008		0806	8465	0847	0707	1307
7/16"	0009		0806	8465	0847	0707	1307
15/32"	0010		0806	8465	0847	0707	1307
1/2"	0011		0806	8465	0847	0707	1307
9/16"	0013		0806	8465	0847	0707	1307

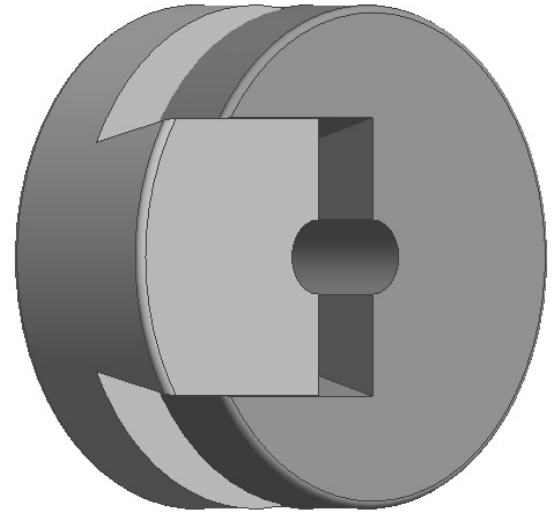
All Specification Tables contain approximated dimensions and should be used for reference only.



MEDIUM BOWEN INTERLOCKING SEAT

ASSEMBLY DESCRIPTION

O.D.	2.060"
Height	0.750"



SPECIFICATIONS

Medium Bowen Grease Head Part: C

Part Number	Line Size	Material
BMLM-0002-10	3/16"	Casted Steel
BMLM-0003-10	7/32"	Casted Steel
BMLM-0004-10	1/4"	Casted Steel
BMLM-0005-10	9/32"	Casted Steel
BMLM-0006-10	5/16"	Casted Steel
BMLM-0008-10	3/8"	Casted Steel
BMLM-0009-10	7/16"	Casted Steel
BMLM-0010-10	15/32"	Casted Steel
BMLM-0011-10	1/2"	Casted Steel
BMLM-0013-10	9/16"	Casted Steel

All Specification Tables contain approximated dimensions and should be used for reference only.