



## MINI BOWEN GREASE HEAD

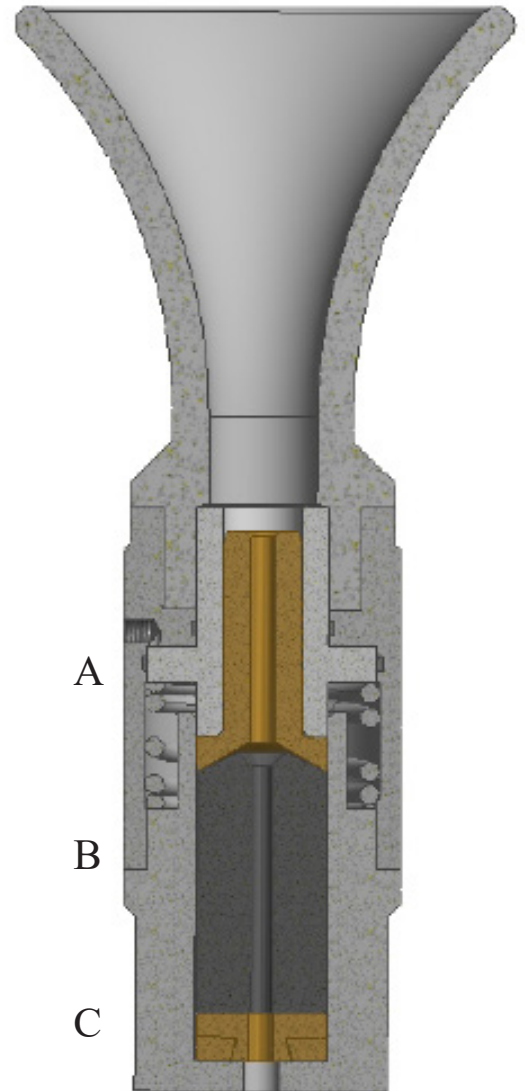
### ASSEMBLY DESCRIPTION

B & T manufactures the following components compatible with the Mini Bowen Grease Head:

- A) MINI BOWEN UPPER BUSHING
- B) MINI BOWEN LINE WIPERS
- C) MINI BOWEN INTERLOCKING SEAT

Mini Bowen Line Wipers are available in the full range of materials offered by B & T. Please consult the Elastomer Chart to find the proper compound for your specific application. The standard compound suitable for most applications is NBR 70.

Upper and lower metals are made from brass.

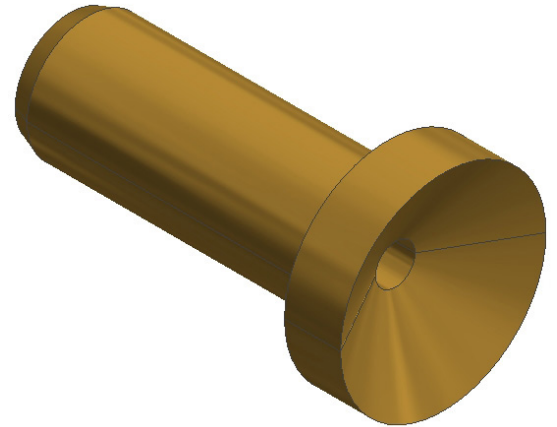




## MINI BOWEN UPPER BUSHING

### ASSEMBLY DESCRIPTION

O.D. 1.375"  
Length 2.500"



### SPECIFICATIONS

#### Mini Bowen Grease Head Part: A

Part Number	Line Size	Material
MBUM-0002-05	3/16"	Brass
MBUM-0003-05	7/32"	Brass
MBUM-0004-05	1/4"	Brass
MBUM-0005-05	9/32"	Brass
MBUM-0006-05	5/16"	Brass
MBUM-0007-05	0.350"	Brass
MBUM-0008-05	3/8"	Brass
MBUM-0009-05	7/16"	Brass
MBUM-0010-05	15/32"	Brass
MBUM-0011-05	1/2"	Brass
MBUM-0012-05	17/32"	Brass

All Specification Tables contain approximated dimensions and should be used for reference only.



# MINI BOWEN LINE WIPERS

## ASSEMBLY DESCRIPTION

O.D. 1.300"  
Length 2.700"

Mold # -Line Size-Compound  
**0119-XXXX-XXXX**

When ordering the Mini Bowen Line Wipers use the prefix **0119** and please specify: line size and compound. Example: 3/16" NBR 70 Duro would be part number **0119-0002-0807**



## SPECIFICATIONS

Mini Bowen Grease Head Part: B

Line Size	Line Size Part No.	Compound	NBR 70 Duro	HNBR 65 Duro	HNBR 80 Duro	FKM 70 Duro	Epichlorohydrin 70 Duro
3/16"	0002		0807	8465	0848	0707	1307
7/32"	0003		0807	8465	0848	0707	1307
1/4"	0004		0807	8465	0848	0707	1307
9/32"	0005		0807	8465	0848	0707	1307
5/16"	0006		0807	8465	0848	0707	1307
0.350"	0007		0807	8465	0848	0707	1307
3/8"	0008		0807	8465	0848	0707	1307
7/16"	0009		0807	8465	0848	0707	1307
15/32"	0010		0807	8465	0848	0707	1307
1/2"	0011		0807	8465	0848	0707	1307
17/32"	0012		0807	8465	0848	0707	1307

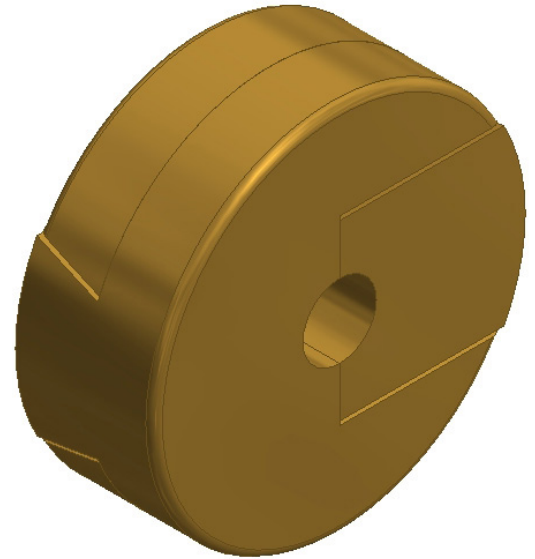
All Specification Tables contain approximated dimensions and should be used for reference only.



# MINI BOWEN INTERLOCKING SEAT

## ASSEMBLY DESCRIPTION

O.D. 1.343"  
Height 0.500"



## SPECIFICATIONS

### Mini Bowen Grease Head Part: C

Part Number	Line Size	Material
MBLM-0002-05	3/16"	Brass
MBLM-0003-05	7/32"	Brass
MBLM-0004-05	1/4"	Brass
MBLM-0005-05	9/32"	Brass
MBLM-0006-05	5/16"	Brass
MBLM-0007-05	0.350"	Brass
MBLM-0008-05	3/8"	Brass
MBLM-0009-05	7/16"	Brass
MBLM-0010-05	15/32"	Brass
MBLM-0011-05	1/2"	Brass
MBLM-0017-05	17/32"	Brass

All Specification Tables contain approximated dimensions and should be used for reference only.