

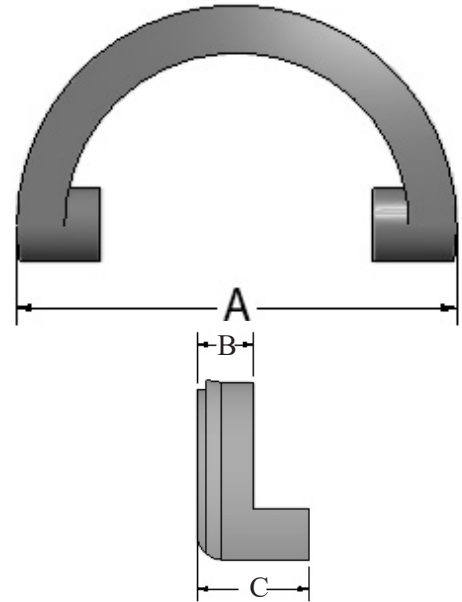


OUTER SEAL (WITH LIP)

ASSEMBLY DESCRIPTION

Mold #-Line Size-Compound
XXXXL-0000-XXXX

When ordering the outer seal with lip use the **Mold # Part Number that corresponds to the B.O.P. Size needed** and please specify: line size and compound.
Example: 2-1/2" B.O.P. NBR 80 Duro would be part number **1152L-0000-0808**



SPECIFICATIONS

B.O.P. Size	Mold No. Part No.	Line Size Part No.	Dim. A	Dim B.	Dim. C	Compound	NBR 80 Duro	HSN 80 Duro	FKM 80 Duro	Epichlorohydrin 80 Duro
2-1/2"	1152L	0000	3.000"	0.545"	1.180"		0808	0848	0708	1308
3"	1180L	0000	3.500"	0.750"	1.000"		0808	0848	0708	1308
4"	1147L	0000	5.000"	0.875"	1.375" / 2.005"		0808	0848	0708	1308

All Specification Tables contain approximated dimensions and should be used for reference only.