



TYPE 410 PACKOFF

ASSEMBLY DESCRIPTION

B & T manufactures the following components compatible with the Type 410 Packoff:

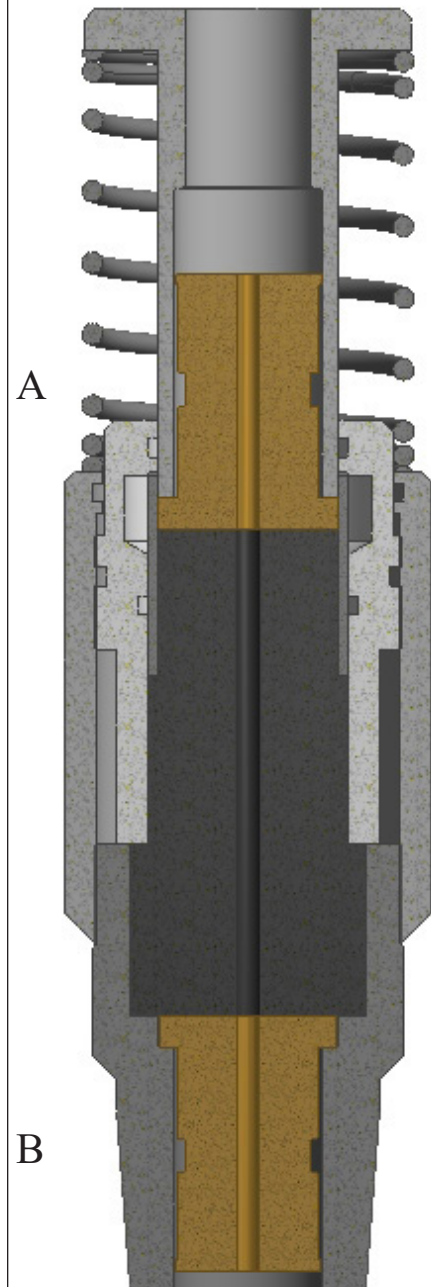
A) TYPE 410 UPPER BRASS

B) TYPE 410 LOWER BRASS

B & T produces Type 410 components from high quality machined brass which gives them superior wear characteristics. Our brass components also cover a range of common line sizes giving the user maximum flexibility while lowering the amount of inventory that must be kept on hand.

Type 410 rubber components are not made by B & T at this time.

PLEASE NOTE: Many parts for the Type C, Type CL, MT, and 410 injection heads are shared between different styles, part numbers are listed for each style to avoid confusion. To check cross compatibility, please see the Cross Compatibility Chart.

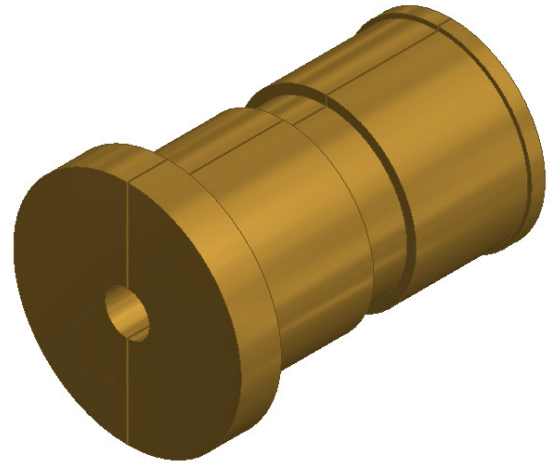




TYPE 410 UPPER BRASS

ASSEMBLY DESCRIPTION

O.D.	2.125"
Length	3.030"



SPECIFICATIONS

Type 410 Part: A

Part Number	Line Size	Material
CUB-0014-05	9/32"-3/8"*	Brass
CUB-0015-05	3/16"-1/4"*	Brass
CUB-0003-05	7/32"	Brass
CUB-0005-05	9/32"	Brass
CUB-0006-05	5/16"	Brass
CUB-0008-05	3/8"	Brass
CUB-0009-05	7/16"	Brass
CUB-0011-05	1/2"	Brass

*These line size ranges are what are specified by OEM equipment. We also make specific line sizes if your application requires it.

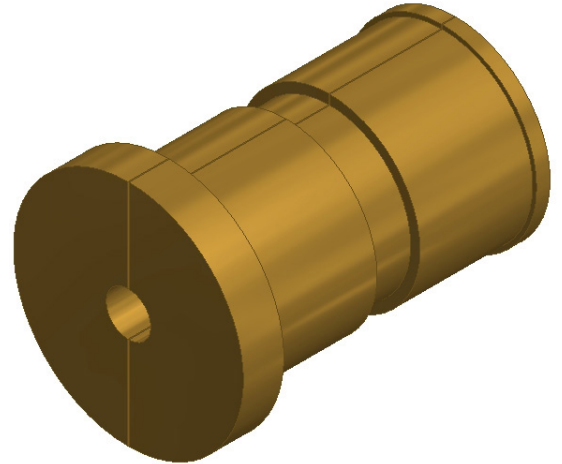
All Specification Tables contain approximated dimensions and should be used for reference only.



TYPE 410 LOWER BRASS

ASSEMBLY DESCRIPTION

O.D.	2.125"
Length	3.030"



SPECIFICATIONS

Type 410 Part: B

Part Number	Line Size	Material
CUB-0014-05	9/32"-3/8"*	Brass
CUB-0015-05	3/16"-1/4"*	Brass
CUB-0003-05	7/32"	Brass
CUB-0005-05	9/32"	Brass
CUB-0006-05	5/16"	Brass
CUB-0008-05	3/8"	Brass
CUB-0009-05	7/16"	Brass
CUB-0011-05	1/2"	Brass

*These line size ranges are what are specified by OEM equipment. We also make specific line sizes if your application requires it.

All Specification Tables contain approximated dimensions and should be used for reference only.