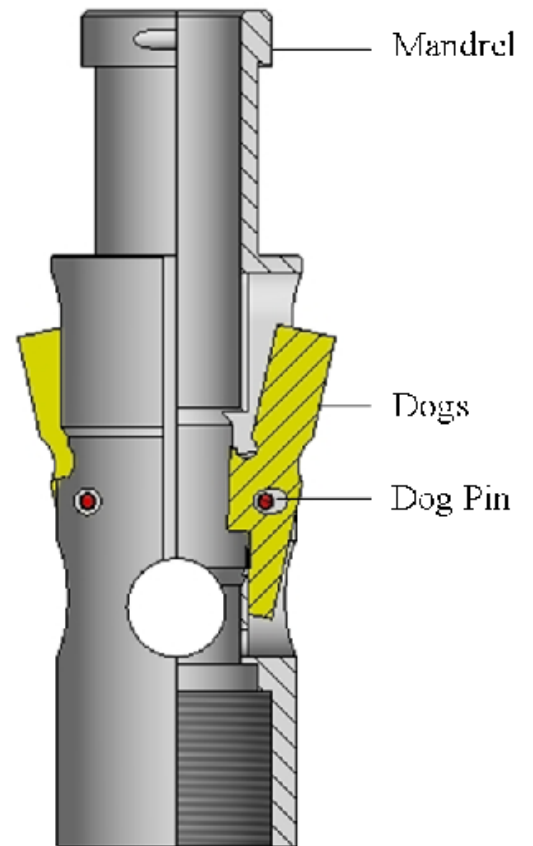




W LOCK (TYPE B)

ASSEMBLY DESCRIPTION

The B & T W Lock is used with B & T F Landing Nipples. The B & T W Lock has a top No-Go to prevent downward movement. The Dogs on the W Lock are upward facing and prevent the assembly from moving upward.





W LOCK (TYPE B)

SPECIFICATIONS				
	1.430	1.500	1.625	1.780
Fishneck	1.188	1.188	1.188	1.375
No-Go O.D.	1.490	1.550	1.615	1.802
Lock O.D.	1.416	1.531	1.531	1.750
Length	6.440	6.440	6.440	7.500
Running Tool	C1RT-01500-01	C1RT-01500-01	C1RT-01500-01	C1RT-02000-01
Pulling Tool	SBPT-01500-01	SBPT-01500-01	SBPT-01500-01	SBPT-02000-01
Pulling Probe	BBPO-01500-01	BBPO-01500-01	BBPO-01500-01	BBPO-02000-01

SPECIFICATIONS				
	1.810	1.870	2.250	2.310
Fishneck	1.375	1.375	1.750	1.750
No-Go O.D.	1.865	1.905	2.302	2.365
Lock O.D.	1.750	1.750	2.188	2.188
Length	7.500	7.500	7.690	7.690
Running Tool	C1RT-02000-01	C1RT-02000-01	C1RT-02500-01	C1RT-02500-01
Pulling Tool	SBPT-02000-01	SBPT-02000-01	SBPT-02500-01	SBPT-02500-01
Pulling Probe	BBPO-02000-01	BBPO-02000-01	BBPO-02500-01	BBPO-02500-01

All Specification Tables contain approximated dimensions and should be used for reference only.



W LOCK (TYPE B)

SPECIFICATIONS			
	2.560	2.750	2.810
Fishneck	1.750	2.313	2.313
No-Go O.D.	2.625	2.802	2.865
Lock O.D.	2.500	2.688	2..688
Length	8.250	8.250	8.250
Running Tool	C1RT-02500-01	C1RT-03000-01	C1RT-03000-01
Pulling Tool	SBPT-02500-01	SBPT-03000-01	SBPT-03000-01
Pulling Probe	BBPO-02560-04	BBPO-03000-01	BBPO-03000-01

SPECIFICATIONS			
	3.688	3.750	3.810
Fishneck	3.125	3.125	3.125
No-Go O.D.	3.740	3.802	3.862
Lock O.D.	3.560	3.560	3.560
Length	9.950	9.950	9.950
Running Tool	C1RT-04000-01	C1RT-04000-01	C1RT-04000-01
Pulling Tool	SBPT-04000-01	SBPT-04000-01	SBPT-04000-01
Pulling Probe	BBPO-04000-01	BBPO-04000-01	BBPO-04000-01

All Specification Tables contain approximated dimensions and should be used for reference only.