

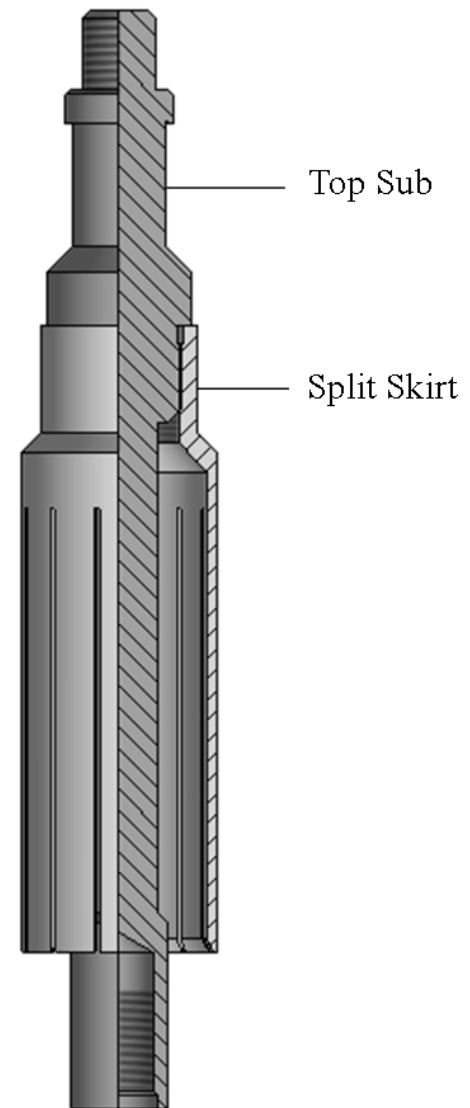


## WIRELINE FINDER

### ASSEMBLY DESCRIPTION

The Wireline Finder is used to bend or ball the uppermost part of the wire so that retrieving applications may be used. There are internal threads at the base of the Top Sub that allow a Center Spear, or Wireline Grab to be utilized.

B & T is able to produce a wide variety of Split Skirt O.D. sizes in order to meet customer requirements and specifications.





## WIRELINE FINDER

SPECIFICATIONS				
	2.000	2.500	3.000	4.000
Fishneck	1.375	1.375	1.375	1.750
Connections	15/16"-10	15/16"-10	15/16"-10	1-1/16"-10

All Specification Tables contain approximated dimensions and should be used for reference only.